

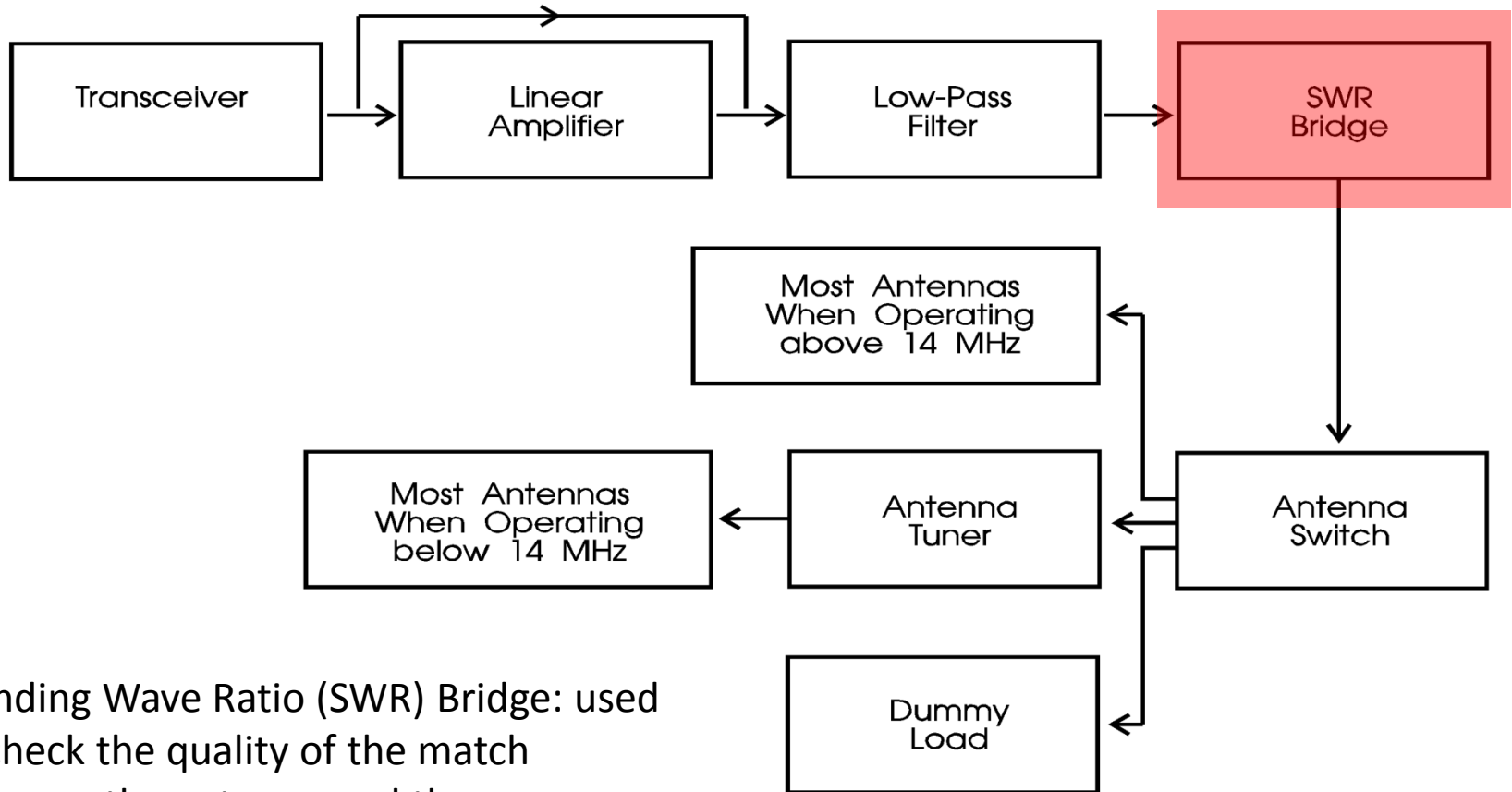
# CHAPTER 11

Establishing & Equipping an Amateur  
Radio Station

# Placement of Components in a Station

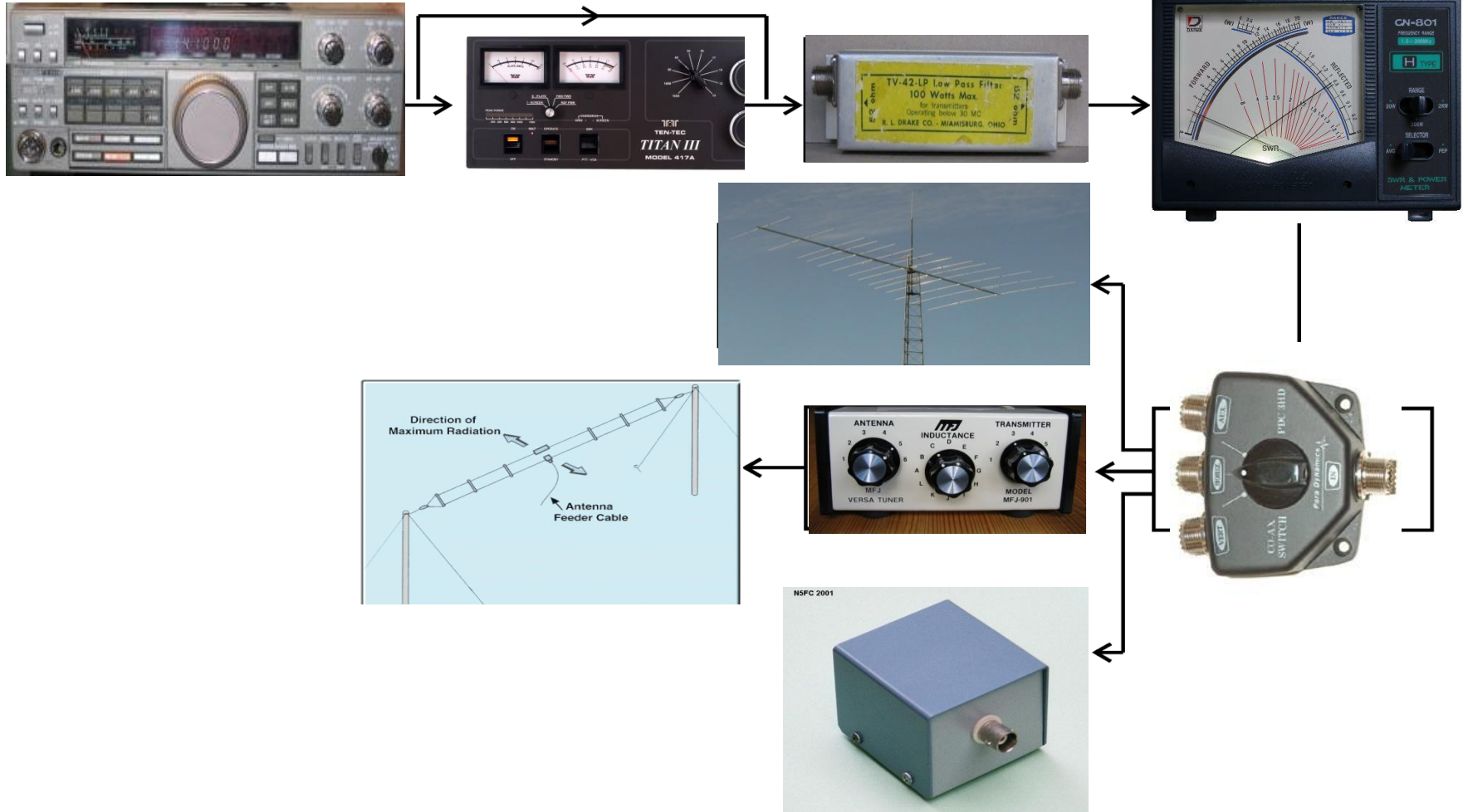


# Placement of Components in an HF Station



Standing Wave Ratio (SWR) Bridge: used to check the quality of the match between the antenna and the transmission line.

# Placement of Components in an HF Station



# A Digital System

